



*European expertise*

*Chinese prices*

# China France Shutters



China France Shutters Co.,Ltd

Export 2011 Catalog

[www.chinafranceshutters.com](http://www.chinafranceshutters.com)



## Introduction

China France Shutters is a **French company, based in Yantai, Shandong, China.**

Created by a French **team of roller shutters experts** in order to provide European roller shutters to Chinese market on Chinese habitations, China France Shutters quickly developed new export strategies.

Actually, in order to also **satisfy his overseas customers** who are looking for high quality roller shutters but who are not willing to pay the European price, our company expand her market to overseas countries.

**China France Shutters will provide you both high quality and Chinese price.**

Our main products are roller shutters, tubular motors and windows combined to roller shutters.

We supply many kinds of roller shutters parts and accessories like for example: aluminum slats (foam filled profile, double layer extruded), tubular motors, guide rails... with different shapes, sizes and colors.

As we are based in China, we are able to offer you **very competitive prices** with, in addition, a very high quality thanks to **French roller shutters know-how and quality management.**

**European Quality, Chinese Price**

**Our company values are:**

- **High quality** product and management
- Always focused on the **customer satisfaction**
- **Social responsibility**
- **Reliability and communication**



## Synopsis

**About us** p 4

**What is a roller shutter?** p 5

**Roller shutter's key benefits** p 6

**Why choose our roller shutters?** p 7

### Our product range:

- Aluminum slats: p 9
  - Foam filled slats p 10
  - Extruded slats p 12
- Roller shutters p 13
- Combos windows/shutters p 14
- Tubular motors p 15
- Top boxes and side plates p 16
- Other accessories

**Product references** p 17





## About us

The French Roller Shutter expert in China.

We only provide best quality shutter, because quality is the most important point for a reliable installation. **Our objective is to be the best quality roller shutters and parts provider from China,** regarding products as well as services.

Our team is composed by logistic expert, who can help you to import your products all around the world, easily and quickly. Our employees can speak English, French and Chinese.

As we are roller shutter expert, we know all the problematic about installation and reliability. We will help you to choose the best product for your real estate project.

### Our key benefits:

- We ensure the quality of products, with European exigencies
- Reactivity and seriousness
- Competitive prices
- Experimented team

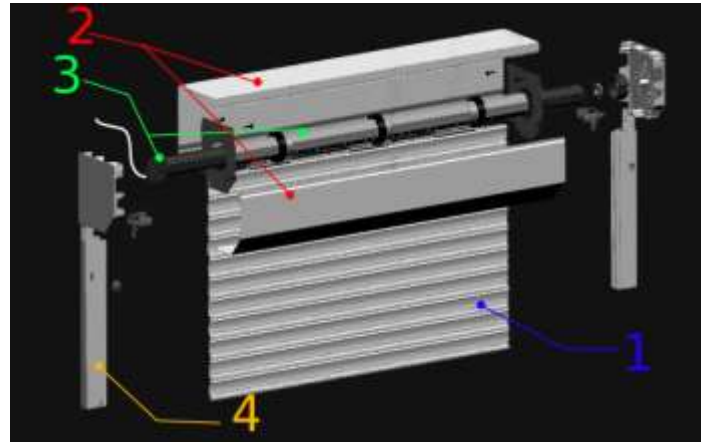




## What is a roller shutter?

An electric Roller shutter is composed by:

- 1 - Slats
- 2 - Top box and side plates
- 3 - Transmission:
  - Tubular motor
  - Tube
  - Other transmission parts (Idler, anti lift systems, etc.)
- 4 - Guide rails

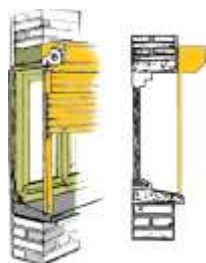


**Roller shutters are tailor made products.** Therefore, if you want to enter into the roller shutters market, you will have to invest in heavy and expensive equipments in order to made it according to your customers need.

**That's why, buying your roller shutters through China France Shutters will allow you to be more competitive and to quickly gain some market share.**

We also offer a wide range of roller shutters components and accessories. All the parts are available separately.

Aluminum slats and tubular motors are our best sales, thanks to their very high quality level; these are the favorite shutters components of our customers.



**Facade installation**



**Middle installation**



**Reverse installation**

*Usually, roller shutters can be installed in 3 different ways (cf. above pictures). All our roller shutters can fit with these 3 installation methods, but it is necessary to specify clearly which kind of installation is needed before placing any order.*



## Roller shutter's key benefits



Fine looking, discreet and with an attractive design, the roller shutter perfectly fit with all kind of architecture, in every conditions.



Improve home safety and deters burglars. The roller shutter is the first way to protect a house, because the windows are the weakness point of any house.



Effectively insulates a house against weather conditions, and allows up to 30% energy saving.



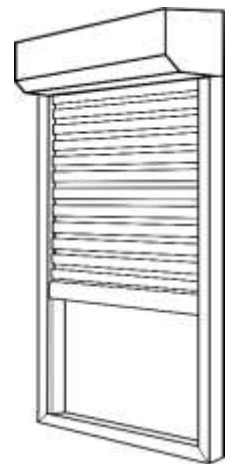
Allows the user to sleep comfortably and to optimize the brightness of the room. The roller shutter also protect from external noise by significantly reducing noise pollutions.



Effective protection against mosquitoes and other pests. Allows the user to sleep with opened window.



Protect your privacy. The roller shutter prevents your neighbors from knowing the slightest details of your private life





## Why choose our products?

Working with us is the best solution if:

- You need good quality products from China
- You want to improve your profitability
- You want to create a new range of products
- You need a reliable supplier, who is aware of all your problematic

All our products are made with 6063T5 and 3005 aluminum. Our roller shutters are tailor made, according to your requirements, not only for the sizes, but also for the colors and the shape of some components.

Our roller shutters are powder coated or baked enameled, tested for, at least, 15 years resistance.

The factory respects the following standards:

- ISO 9001: 2000
- ISO 14001: 2004
- CCC
- CE
- RoHS
- TUV
- UL



Our roller shutters are also available in different design and colors. We also can help you for specific demands.



## Our product range

### *Slats:*

- *Foam filled slats*
- *Extruded slats*



### *Combos windows/shutters*



### *Tubular motors*



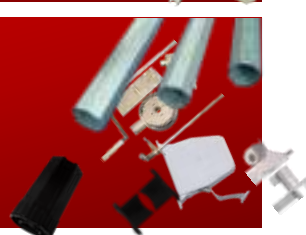
### *Roller shutters*



### *Top boxes and side plates*



### *Other shutter parts*





## Foam Filled Slats

### Sizes available:

- 37mm
- 42mm
- 55mm

With or without holes

Aluminum 3005

### Average quantity per 20' container:

- 37mm, 81 200 meters
- 42mm, 64 960 meters
- 55mm, 41 760 meters



### Product specifications:

- All sizes feasible.
- Designed for insulation benefits.
- Polyurethane foam.
- Baked enameled surface treatment.
- All RAL colors available.
- Suitable for all kind of installation:
  - Facade installation
  - Middle installation
  - Reverse installation





## Extruded Slats

### Sizes available:

- 36mm
- 58mm

With or without holes

Aluminum 6063T5

### Average quantity per 20' container:

- 36mm, 82 200 meters
- 58mm, 39 740 meters



### Product specifications:

- All sizes feasible.
- Designed for security benefits.
- Powder coating surface treatment.
- All RAL colors available.
- Suitable for all kind of installation:
  - Facade installation
  - Middle installation
  - Reverse installation





## Reinforced Slats

### Available sizes:

- 56mm

With or without holes

Aluminum 6063T5

High security slat against heavy wind area or for very unsafe place

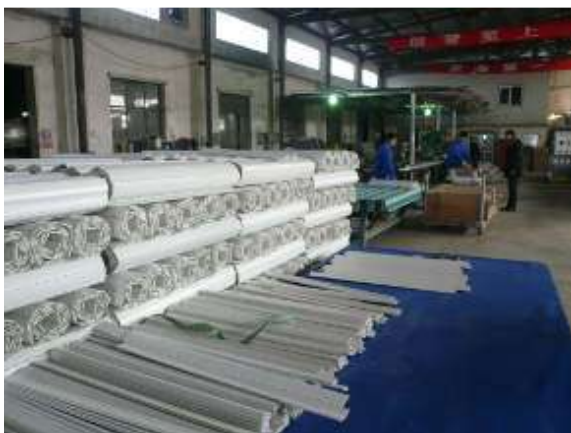
### Average quantity per 20' container:

- 56mm, 38 500 meters



### Product specifications:

- All sizes feasible.
- Designed for high security benefits.
- Powder coating surface treatment.
- All RAL colors available.
- Suitable for all kind of installation:
  - Facade installation
  - Middle installation
  - Reverse installation





## Roller shutters

### Security or insulated roller shutter

#### TAILOR MADE

##### Available slats:

- Aluminum extruded
- Aluminum reinforced
- Aluminum foam filled

##### Available Controls systems:

- Wired tubular motors
- Built in radio tubular motors
- Manual override tubular motors
- Crank
- Strap

##### Available accessories:

- Anti lift systems
- Alarm system



##### Product specifications:

- Available with Foam filled, Extruded or Reinforced slats.
- Almost all sizes feasible.
- Powder coating or baked enameled surface treatment.
- All RAL colors available.
- Suitable for all kind of installation:
  - Facade installation
  - Middle installation
  - Reverse installation





## Combo window/shutter

### Security or insulated window/shutter

#### TAILOR MADE

#### Available slats:

- Extruded aluminum
- Foam filled aluminum

#### Available controls systems:

- Wired tubular motors
- Built in radio tubular motors
- Manual override tubular motors
- Crank
- Strap

#### Available accessories:

- Anti lift systems
- Toughened glass
- Alarm system
- Protection against mosquitoes
- Wooden frame



#### Product specifications:

- Double glazed window
- Side and top hinges
- Almost all sizes feasible: from 700X800mm to 3500X2900mm
- Powder coating surface treatment





## Tubular motors

### Wired motors, Built in radio motors, Manual override motors

- **Diameter 35mm** (from 3N.m to 10N.m)

Well adapted for projection screens and roller blinds

- **Diameter 45mm** (from 8N.m to 50N.m)

Well adapted for roller blinds, roller shutters and awnings

- **Diameter 59mm** (from 60N.m to 140N.m)

Well adapted for roller shutters, awnings and rolling doors

Different heads are available

Wired motors can also be radio controlled by adding **external radio receiver** (small upgrade, high benefit)

### Product specifications:

- *Certifications: CE, TUV, VDE, UL*
- *Tested for 10 000 life time cycle*
- *All RAL colors available*
- *Very easy to install*
- *Many accessories available*
- *Suitable for all kind of installation:*
  - *Facade installation*
  - *Middle installation*
  - *Reverse installation*





## Roller shutter top boxes and side plates

### Four sizes:

- 160 X 160 mm
- 180 X 180 mm
- 205 X 205 mm
- 250 X 250 mm

### Three shapes:

- Square BOX (Well designed for middle installation)
- Arc BOX (More esthetic, well adapted for middle and façade installation)
- Round BOX (High esthetics, well adapted for façade installation)



Square



Arc



Round

### Product specifications:

- All sizes feasible.
- Designed for insulation benefits
- Aluminum 6063T5
- Powder coating surface treatment.
- All RAL colors available.
- Suitable for all kind of installation:
  - Facade installation
  - Middle installation
  - Reverse installation

## Roller shutter tube, transmission axle

### Three sizes:

- 40 mm (for 35mm tubular motors)
- 60 mm (for 45mm tubular motors)
- 70 mm (for 59mm tubular motors)

### Two shapes:

- Octagonal tube
- Round tube

### Product specifications:

- All sizes feasible.
- Steel axle
- Perforated and drilled
- Suitable for all kind of installation:
  - Facade installation
  - Middle installation
  - Reverse installation



## Other shutter parts

### Manual transmission:

- Crank system
- Strap system

### Tubular motors controls:

- Switch
- Remote control
- Timer
- Emergency crank

### Security accessories:

- Anti lift system
- Alarm system

### Guide rails:

- 54 mm
- 76 mm

### Bottom slat

### Idler



*For any other parts and accessories, please contact us.*



## Products References

<b>Pictures</b>						
<b>Product</b>	Foam slat 37	Foam slat 42	Foam slat 55	Extruded slat 32	Extruded slat 37	Extruded slat 42
<b>Reference</b>	SLATF37	SLATF42	SLATF55	SLATEX32	SLATEX37	SLATEX42
<b>Pictures</b>						
<b>Product</b>	Extruded slat 55	Reinforced slat 56	Wired motor 35	Wired motor 45	Wired motor 59	Wired motor 92
<b>Reference</b>	SLATEX55	SLATRE56	ROL35	ROL45	ROL59	ROL92
<b>Pictures</b>						
<b>Product</b>	Radio motor 45	Radio motor 59	Manual Motor 45	Manual Motor 59	remote control	timer
<b>Reference</b>	ROLR45	ROLR59	ROLM45	ROLM59	RCC 2023	RCC 2055
<b>Pictures</b>						
<b>Product</b>	Square top box	Arc top box	Round to box	Square side plate	Arc side plate	Round side plate
<b>Reference</b>	BOXS 16-18-20-25	BOXA 16-18-20-25	BOXR 16-18-20-25	SIDS 16-18-20-25	SIDX 16-18-20-25	SIDR 16-18-20-25
<b>Pictures</b>						
<b>Product</b>	Octagonal Steel axle	Round Steel axle	Crank system	Strap system	Anti lift system	Alarm system
<b>Reference</b>	AXLO 40-60-70	AXLR 40-60-70	CRA001	STR001	LIF001	ALA001
<b>Pictures</b>						
<b>Product</b>	Guide rail	Bottom slat	Idler	External receiver	Switch	
<b>Reference</b>	GUI 54-76	BOT001	IDL001	RCC 2001	RCC 2043	



**Because you deserve  
the best,  
We supply you  
with excellence**

*European Quality – Chinese Prices*

*[sales@chinafranceshutters.com](mailto:sales@chinafranceshutters.com)*